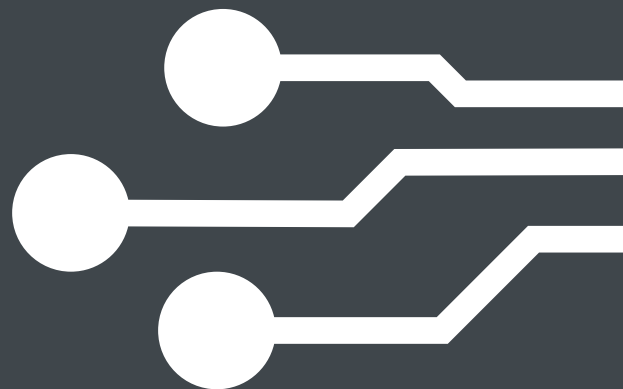


RGBW  
24V DC  
5 Wire  
F45A PWM Dimming

12



RGBW  
24V DC  
5 Wire  
F45A PWM Dimming

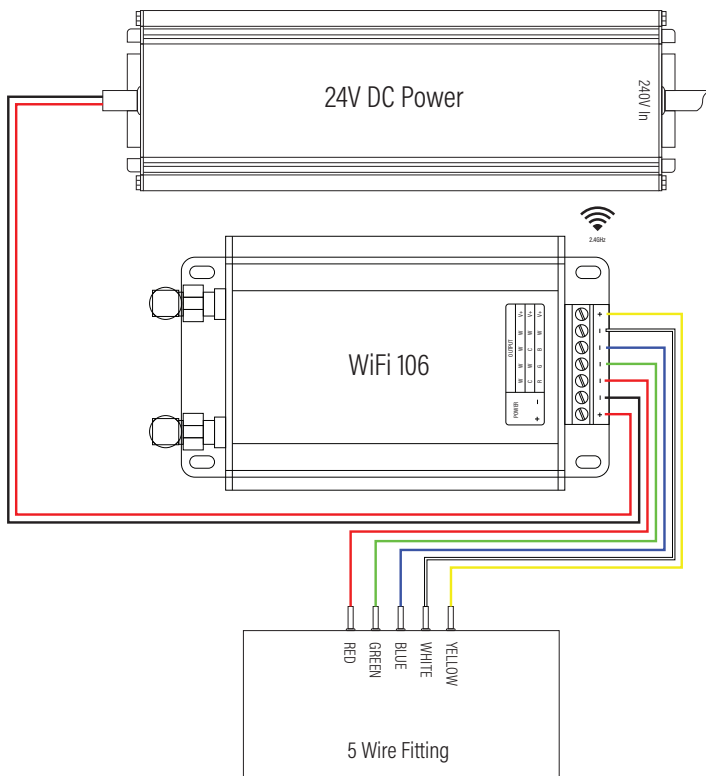
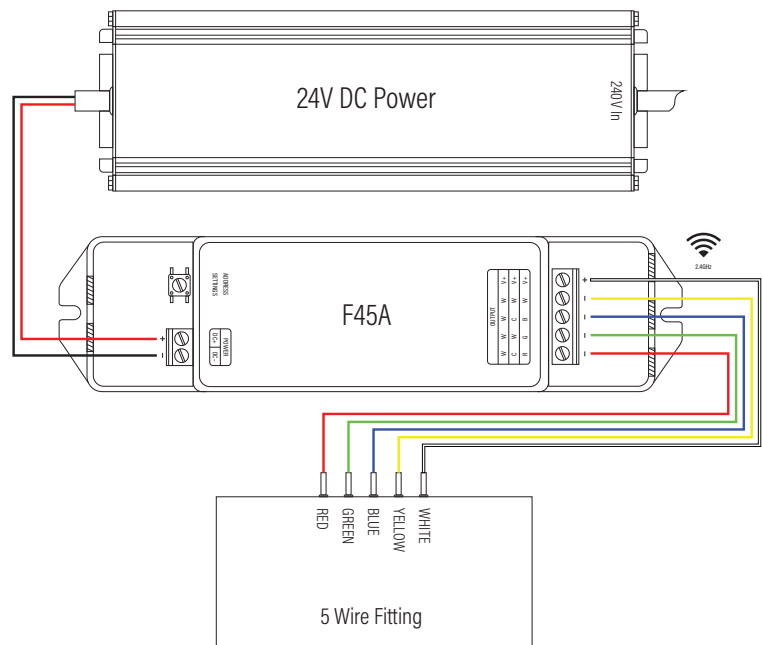
**12**

# Wiring Diagram

**Aqualux Codes**

- \_\_\_\_\_ AQD24-040
- \_\_\_\_\_ AQD24-100
- \_\_\_\_\_ AQD24-240
- \_\_\_\_\_ AQD-400-F45A
- \_\_\_\_\_ AQD-400-WiFi106

Setup allows for control from mobile or tablet from free Android or iOS app. Wall controllers and hand held remotes are also available to add to the system. Max 480W 4 channel @ 24VDC. Unlimited F45A's can be added to a zone.



Max 384W 4 channel @ 24VDC. Up to 12 Zones can be controlled from each Wifi-106. 16 Wifi-106's can be run on a Wifi network. RF Range 30m (Line of sight) can be extended with the addition of EBOXAP's (up to 8 AP's).

Wire inputs to Fitting					
AQL-912	Red	Green	Blue	Yellow	White
AQL-913	Red	Green	Blue	Yellow	White
AQS-173	Red	Green	Blue	White	Black
AQS-420	Red	Green	Blue	White	Black
AQS-421	Red	Green	Blue	White	Black
AQS-500	Red	Green	Blue	White	Yellow
AQS-510	Red	Green	Blue	White	Yellow
Fitting LEDs and Voltage Input					
	Red	Green	Blue	White	V+

**5 Wire Fitting**